

Installation Sheet

WiFi 5th Generation Touch Screen Thermostat

Code: WF TH05

Thank you for choosing a Warmfloor thermostat.
Please enter your installers details on the info and
help menu on your thermostat.

For more information or for
Warmfloor technical support, please visit

www.warmfloornz.com

Fitting Instructions

The TH05 can be mounted Vertically OR Horizontally.

Important: When mounted Vertically ensure a 5mm clearance on the right side of the thermostat to facilitate use of the power button.

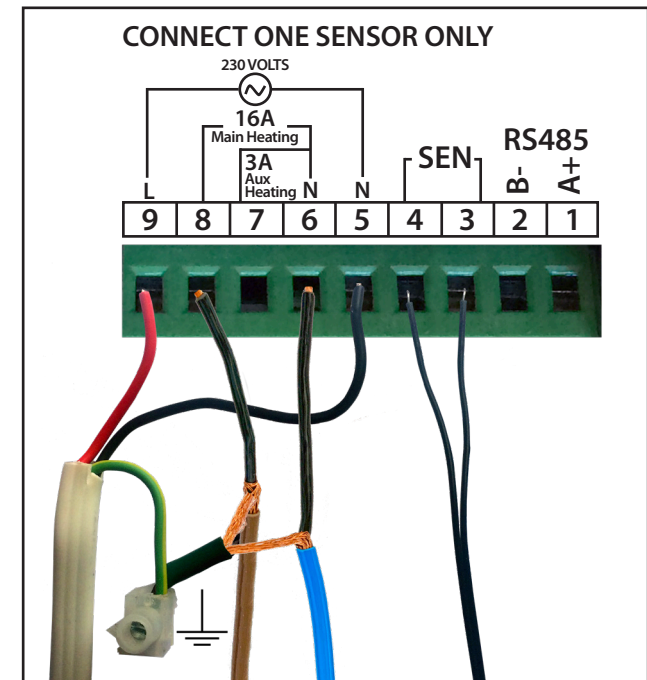
Remove the top cover by carefully inserting a flat-head screwdriver into the slots at the bottom of the thermostat.



After the electrical connections have been made and checked, screw the thermostat to the wall with the screws provided. Re-fit the top cover.

Technical Specifications

Input voltage:	230VAC±10%
Frequency:	50/60Hz
Main Heating Relay:	16A max
Auxiliary Heating Relay:	3A max
Working Temperature:	0°C to 50°C
Storage Temperature:	-25°C to 50°C
Accuracy of Temperature Control:	±1°C



Probe Temperatures/ Ω Values

Temp °C	Resistance value k Ω 's
0	22.28
5	22.05
10	17.96
15	14.69
20	12.09
25	10.00
30	8.31

WARRANTY

Warmfloor warrants this product to be free from workmanship or material defects for a period of three (3) years from the date of purchase by the consumer. Warmfloor reserves the right to repair or provide a replacement unit at their discretion. This warranty does not cover removal or re-installation costs.

Certification: IEC-607-60730-2-9

Declaration of Conformity may be downloaded from

www.warmfloornz.com